

EXTERUS

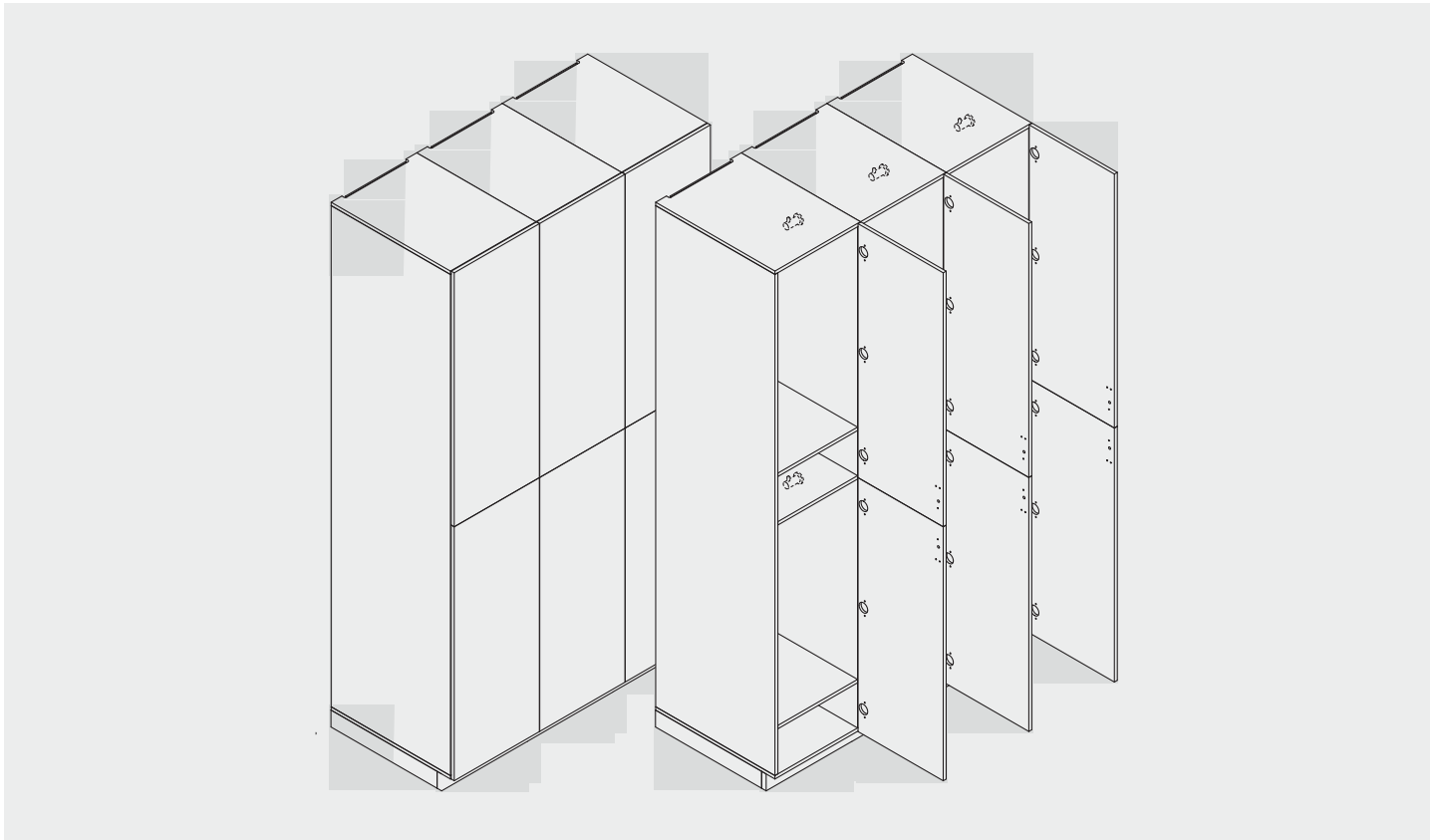


L2 SP3

EXTERUS
Changing room lockers

Assembly Instructions

HPL COMPACT panels Fundermax



L2 SP3 EXTERUS Changing Room Lockers Assembly Instructions

This document provides a detailed step-by-step guide for assembling the **L2 SP1 3VNT EXTERUS** locker unit.

Ensure that all components are available and undamaged before starting.

Panel Identification & Preparation

All panels are labeled with unique numbering for easy identification.
Each panel is covered with a protective foil.

Before installation:

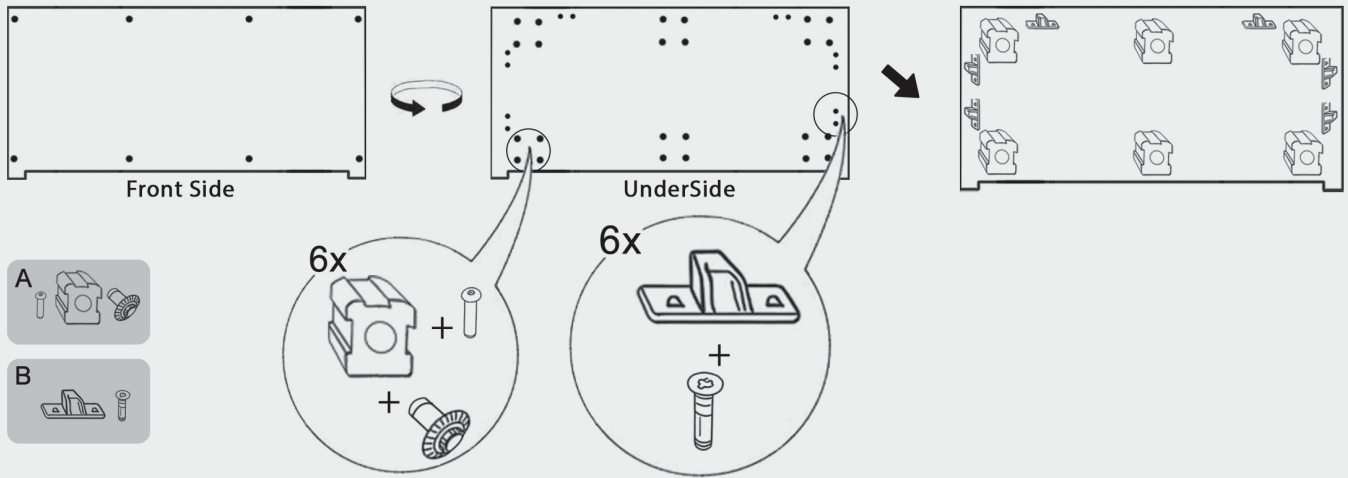
Sort and organize all panels by type (e.g., left panels, right panels, shelves, etc.)
Ensure panels are arranged clearly for quick access during installation.

Please note:

When removing the protective foil, carefully remove the label.
Keep the label and reattach it to the corresponding panel.
This ensures each panel can still be identified correctly throughout the installation process.

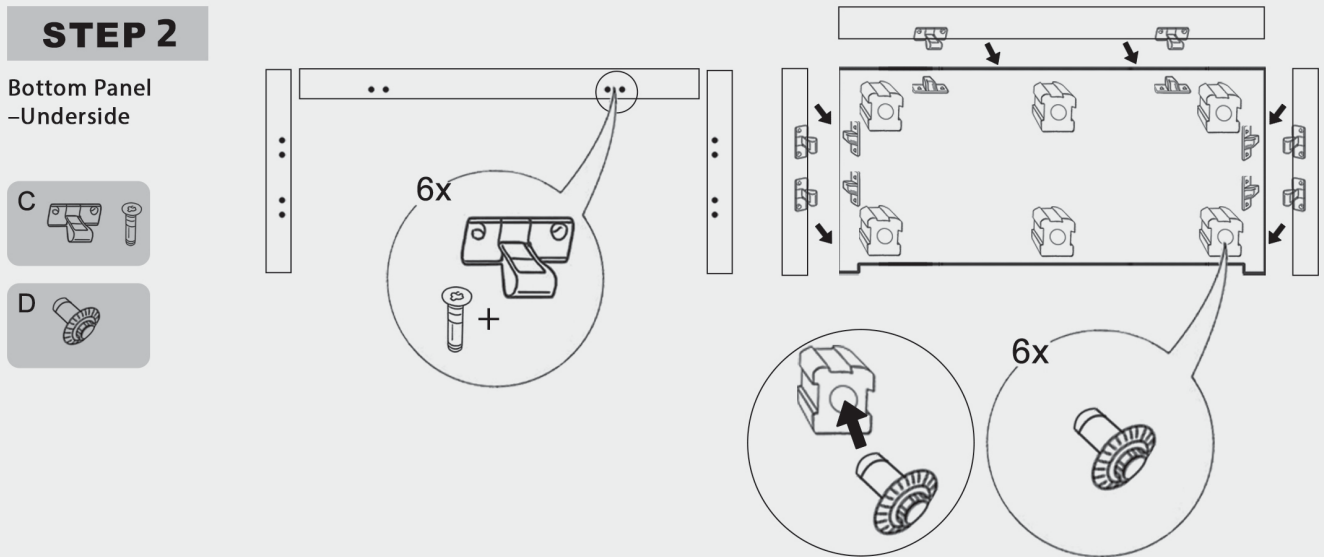
STEP 1

Bottom Panel – Underside



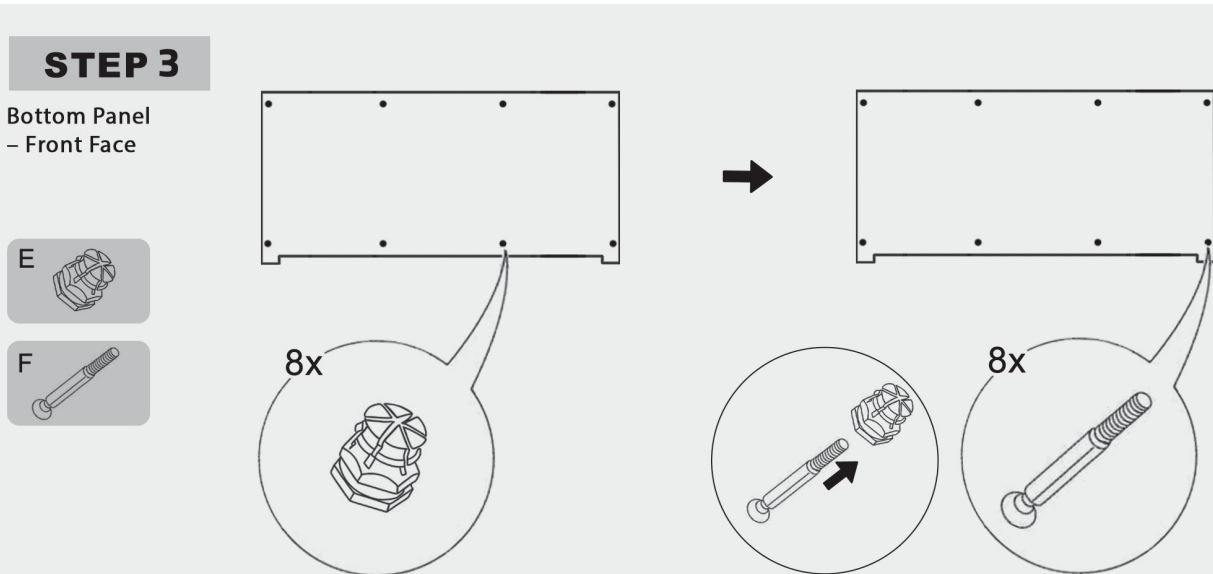
STEP 2

Bottom Panel – Underside



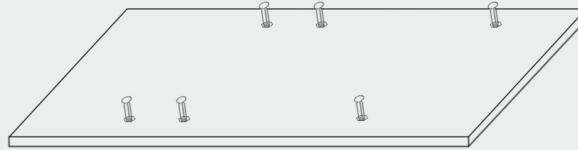
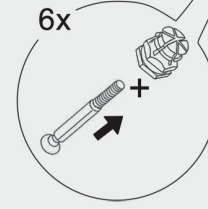
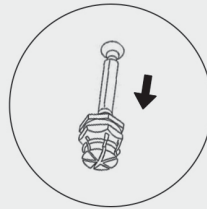
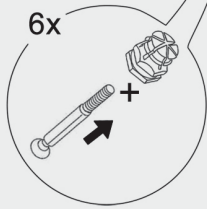
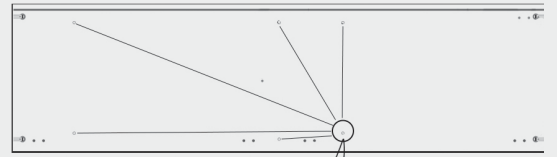
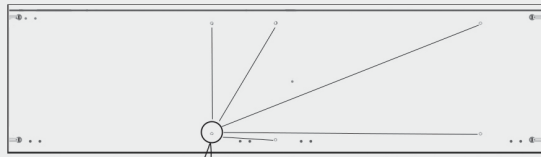
STEP 3

Bottom Panel – Front Face



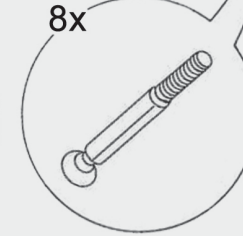
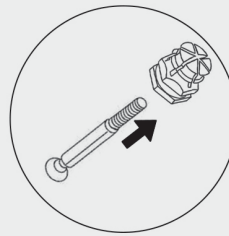
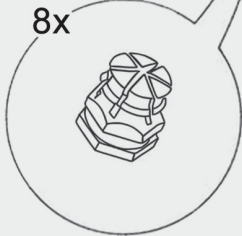
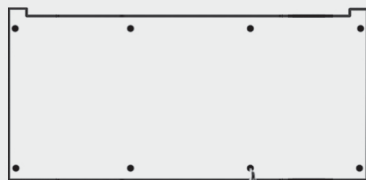
STEP 4

Side Panel Preparation



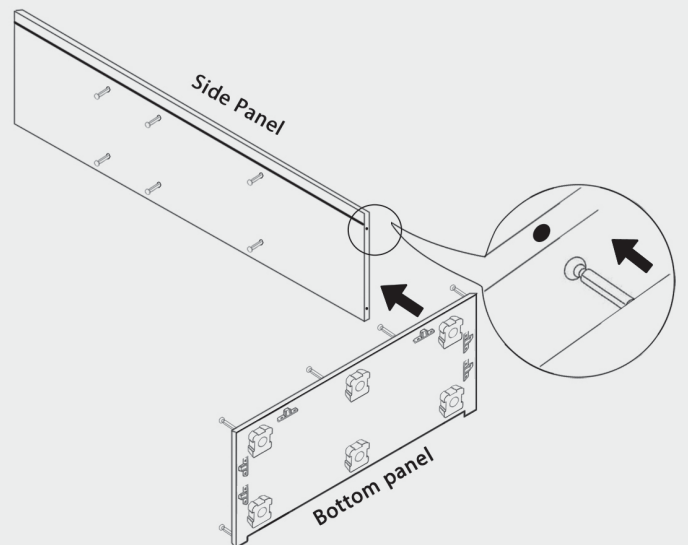
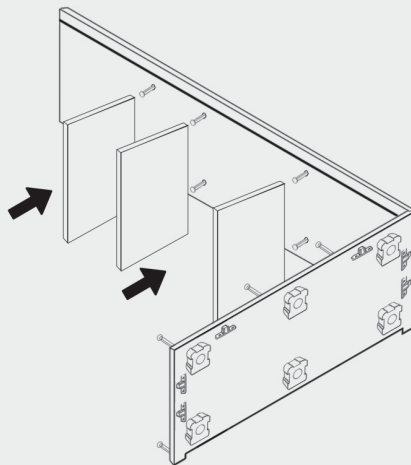
STEP 5

Roof Panel

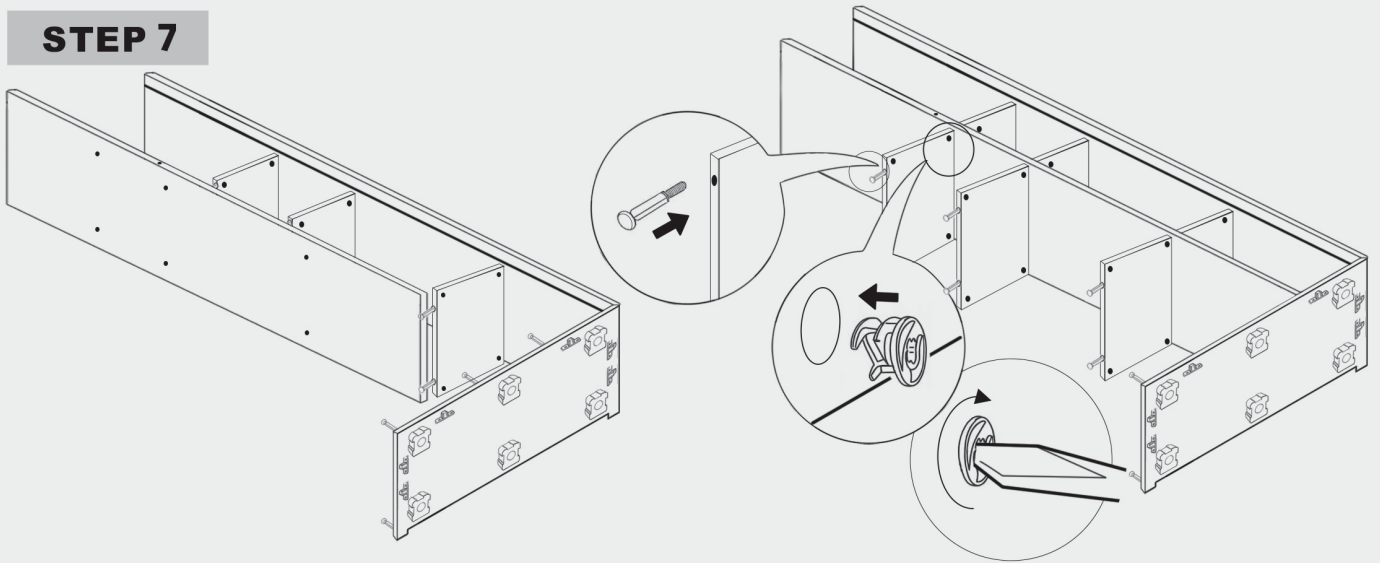


STEP 6

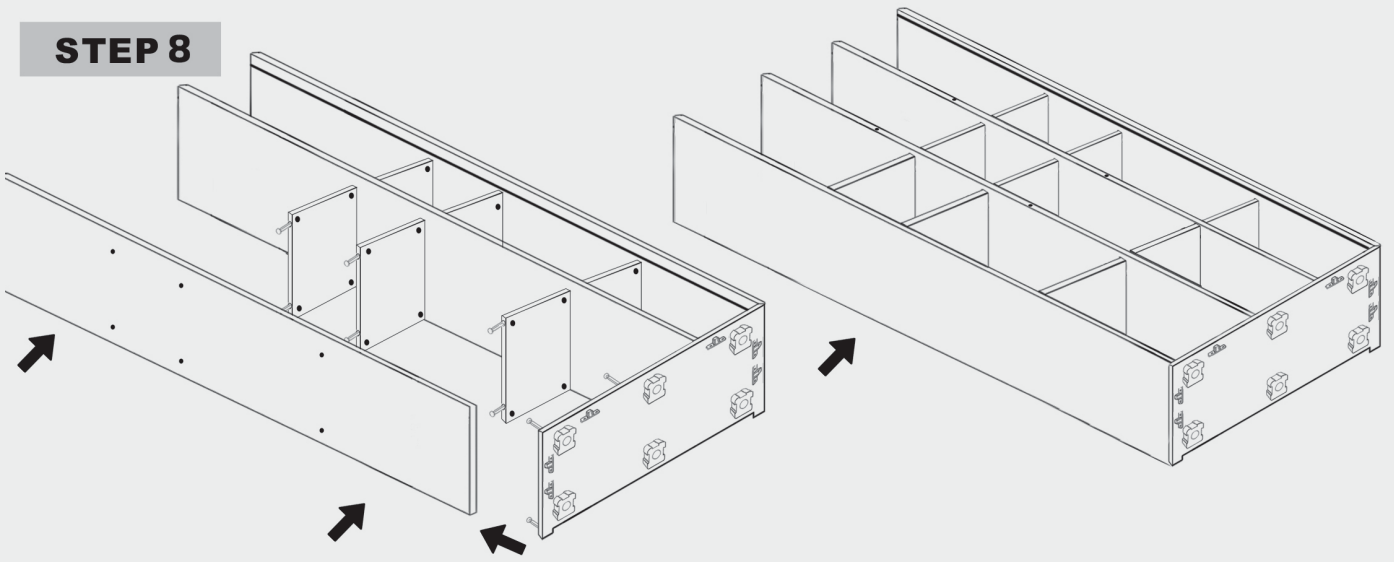
Attach The Components



STEP 7

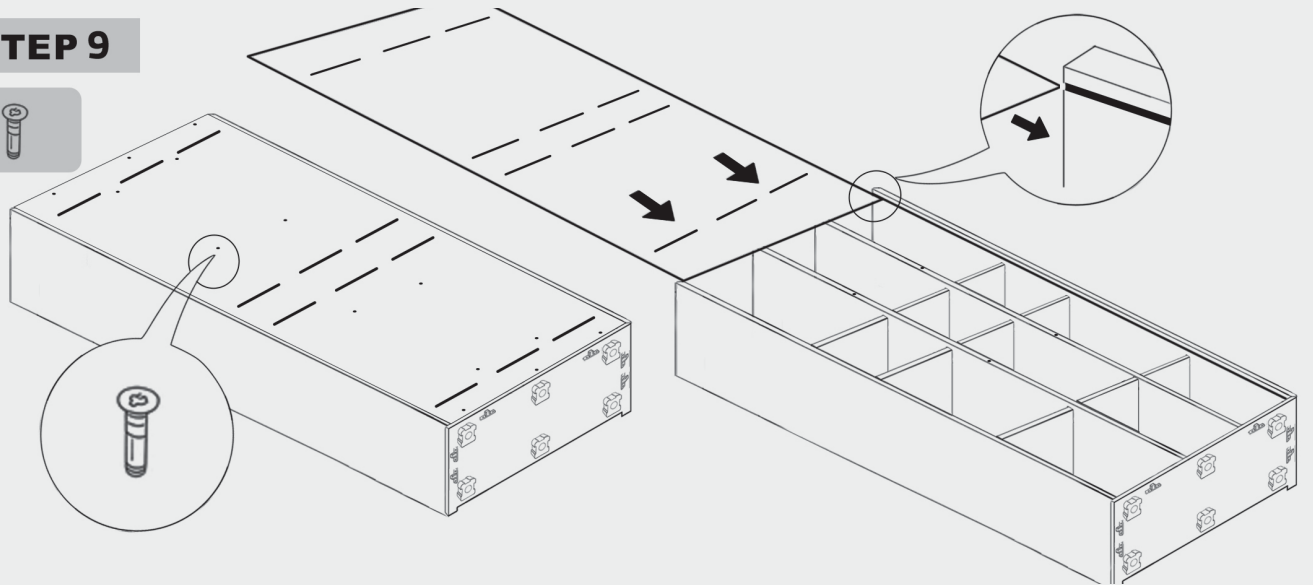


STEP 8

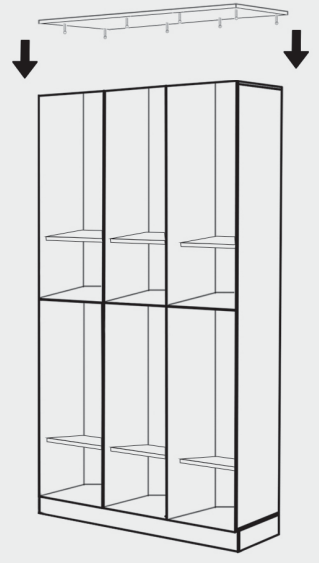
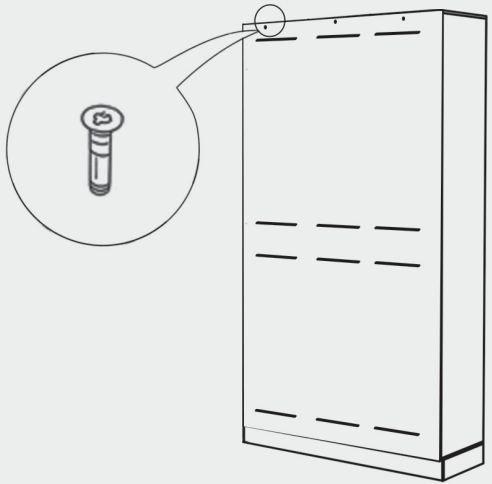


STEP 9

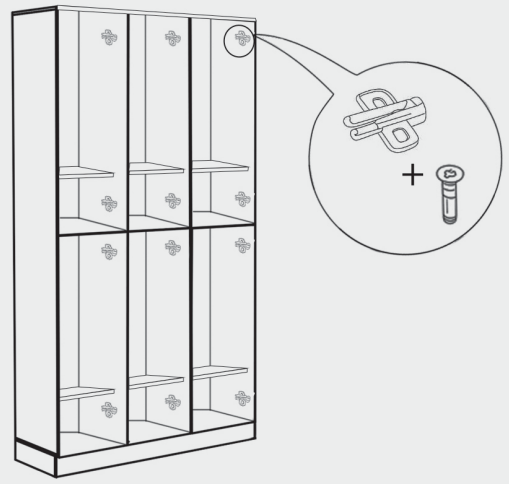
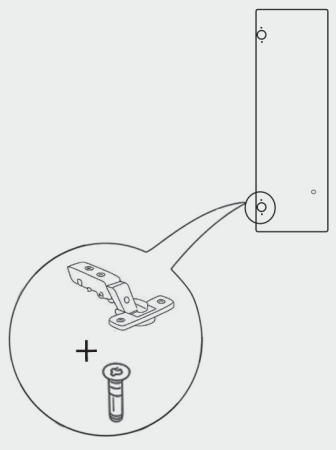
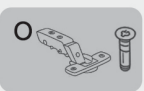
M



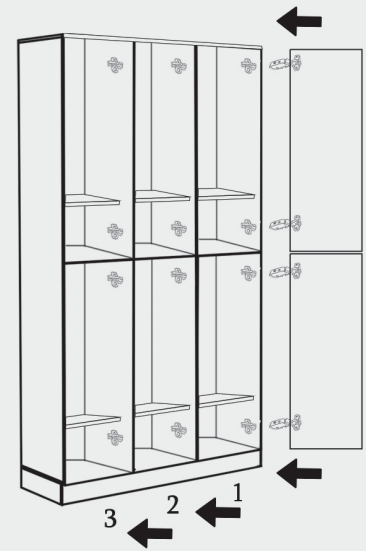
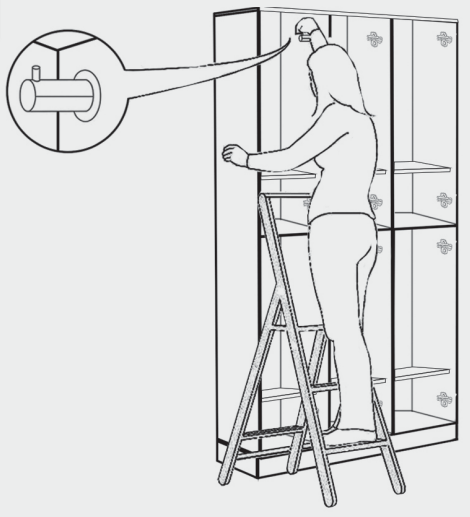
STEP 10



STEP 11



STEP 12



Contacts:

+370 618 76953

info@exterus.biz

www.exterus.biz